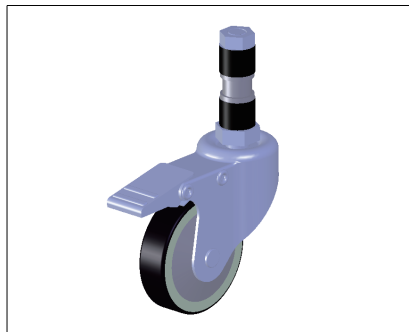
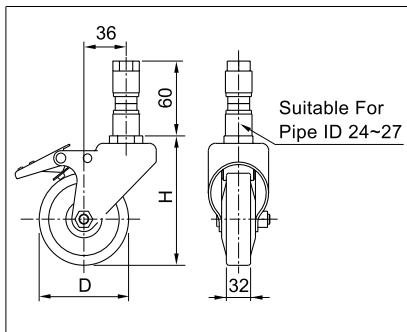


DBASIX

28 OD Pipe Castor Wheel

脚轮



Part No 型号	Description 内容	D × H MM	Load Capacity 极限载荷 / KG	Type 类型	Weight 重量 / KG	Wheel Material 脚轮材质
003.0002.003.01	BPIR-75SB	75 × 108	100	Plug-In Type / Swivel with Brake	0.88	Rubber
003.0002.003.02	BPIU-75SB	75 × 108	100	Plug-In Type / Swivel with Brake	0.81	PU
003.0002.003.03	BPIRE-75SB	75 × 108	100	Plug-In Type / Swivel with Brake	0.87	Rubber - ESD
003.0002.004.01	BPIR-100SB	100 × 133	100	Plug-In Type / Swivel with Brake	1.08	Rubber
003.0002.004.02	BPIU-100SB	100 × 133	100	Plug-In Type / Swivel with Brake	0.92	PU
003.0002.004.03	BRIRE-100SB	100 × 133	100	Plug-In Type / Swivel with Brake	1.01	Rubber - ESD